

目錄

Contents

機型介紹與產品總表 Fan Model Numbering System & General Table	03
關於我們 About Us & 證書與認證 Certificates	05
經營理念 Business Philosophy	06
高品質產出 High Standard Progress	07
產品運用範圍 Product Application	08
SK 825 AP	09
SK 838 AP	10
SK 92 AP	11
SK 938 AP	12
SK 125 AP	13
SK 109 AP	14
SK 127 AP	15
SK 160 AP	16
SK 162 AP	17
SK 165 AP	18
SK 170 AP	19
SK 172 AP	20
SK 176 AP	21
SK 180 AP	22
SK 205 AP	23
SK 225 AP	24
SK 254 AP	25
SK 280 AP	26
Exhaust Fans & Oil Pump	27
Fan Tray	28
Accessories	29

機型介紹與產品總表

Fan Model Numbering System & General Table

SK109AP-22-1WB

1

2

3

4

5

6

7

1 SK=神達 (SHENG KWEI)

2 尺寸 (Size)

825	80x80x25	mm	165	172x150x55	mm
838	80x80x38	mm	170	172x150x51	mm
92	92x92x25	mm	172	172x150x51	mm
938	92x92x38	mm	176	176x176x89	mm
125	120x120x25	mm	180	180x180x65	mm
109	120x120x38	mm	205	205x205x72	mm
127	127x127x38	mm	225	225x225x80	mm
160	160x160x62	mm	254	254x89	mm
162	172x150x51	mm	280	280x280x89	mm

3 外殼 (Housing)

AP Die-cast aluminum, Painted black 鋁殼黑色

AN Die-cast aluminum, Plated 鋁殼震動研磨

4 電壓 (Voltage)

11 100-120V

22 200-230V

6 接電方式 (Connection)

W Lead Wire 出線

T Terminal 插品

5 速度 (Speed)

1 High speed 高速

2 Medium speed 中速

3 Low speed 低速

7 軸承 (Bearing Type)

B Two-ball 滾珠培林

S Sleeve 合銅

Model No.	Rated VAC	Freq. Hz	Rated Input Amp	Rated Input Watt	Rated Speed RPM	Max. Air Flow m ³ /min CFM	Max. Static Pressure mm-H ₂ O inch-H ₂ O	Noise Level (dB)
型號	電壓	頻率	電流	功率	轉速	最大風量	最大風壓	噪音
SK825AP-11-1	110	50/60	0.17/0.15	15/13	2550/3200	0.42/0.54 15/19	3.6/5.5 0.14/0.22	29/35
SK825AP-11-2	110	50/60	0.09/0.08	10/9	2100/2550	0.34/0.42 14/17	2.9/4.2 0.11/0.17	27/29
SK825AP-11-3	110	50/60	0.07/0.06	7/6	1750/1850	0.31/0.36 11/13	1.7/2.2 0.06/0.08	23/24
SK825AP-22-1	220	50/60	0.08/0.07	15/13	2550/3200	0.42/0.54 15/19	3.6/5.5 0.14/0.22	29/35
SK825AP-22-2	220	50/60	0.06/0.05	10/9	2400/2950	0.40/0.51 14/17	2.9/4.2 0.11/0.17	28/32
SK838AP-11-1	110	50/60	0.12/0.10	14/12	2700/3250	0.62/0.74 22/26	4.9/7.0 0.19/0.28	30/37
SK838AP-11-2	110	50/60	0.07/0.06	11/9	2250/2550	0.51/0.57 18/20	3.2/3.7 0.13/0.14	26/29
SK838AP-22-1	220	50/60	0.06/0.05	14/12	2700/3250	0.62/0.74 22/26	4.9/7.0 0.19/0.28	30/37
SK838AP-22-2	220	50/60	0.05/0.04	11/9	2450/2700	0.51/0.57 18/20	3.2/3.7 0.13/0.14	26/29
SK838AP-22-3	220	50/60	0.04/0.03	7/5	2200/2200	0.48/0.51 17/18	2.8/2.5 0.11/0.10	25/26
SK92AP-11-1	110	50/60	0.18/0.16	15/13	2400/3000	0.76/0.93 27/33	4.0/6.0 0.16/0.24	31/39
SK92AP-11-2	110	50/60	0.09/0.08	10/9	2100/2300	0.65/0.71 23/25	2.7/2.9 0.11/0.11	28/31
SK92AP-11-3	110	50/60	0.07/0.06	7/6	1700/1750	0.53/0.59 19/21	1.8/2.0 0.07/0.08	26/26
SK92AP-22-1	220	50/60	0.08/0.07	15/13	2400/2900	0.76/0.93 27/33	4.0/6.0 0.16/0.24	31/38
SK92AP-22-2	220	50/60	0.06/0.05	10/9	2100/2350	0.65/0.71 23/25	2.7/2.9 0.11/0.11	28/32
SK92AP-22-3	220	50/60	0.05/0.04	7/6	1650/1850	0.53/0.59 19/21	1.8/2.0 0.07/0.08	23/27
SK938AP-11-1	110	50/60	0.12/0.11	14/12	2700/3200	1.16/1.36 41/48	5.1/6.7 0.20/0.26	34/39
SK938AP-11-2	110	50/60	0.07/0.06	11/9	2400/2550	1.08/1.10 38/39	4.0/3.3 0.16/0.13	32/35
SK938AP-11-3	110	50/60	0.05/0.04	7/5	2200/1950	0.99/0.93 35/33	3.2/2.3 0.13/0.09	30/27
SK938AP-22-1	220	50/60	0.06/0.05	14/12	2600/3050	1.16/1.36 41/48	5.1/6.7 0.20/0.26	33/38
SK938AP-22-2	220	50/60	0.05/0.04	11/9	2400/2550	1.08/1.10 38/39	4.0/3.3 0.16/0.13	32/35

Model No.	Rated VAC	Freq. Hz	Rated Input Amp	Rated Input Watt	Rated Speed RPM	Max. Air Flow m ³ /min CFM		Max. Static Pressure mm-H ₂ O inch-H ₂ O		Noise Level (dB)
型號	電壓	頻率	電流	功率	轉速	最大風量		最大風壓		噪音
SK125AP-11-1	110	50/60	0.25/0.20	17/15	2550/3000	1.61/1.87	57/66	5.2/6.2	0.20/0.24	44/48
SK125AP-11-2	110	50/60	0.09/0.08	12/10	2400/2600	1.56/1.61	55/57	4.3/3.4	0.17/0.13	42/45
SK125AP-11-3	110	50/60	0.06/0.05	8/6	2100/1900	1.30/1.08	46/38	2.3/1.4	0.09/0.06	39/35
SK125AP-22-1	220	50/60	0.09/0.07	17/15	2550/3000	1.61/1.87	57/66	5.2/6.2	0.20/0.24	44/48
SK125AP-22-2	220	50/60	0.06/0.05	12/10	2400/2600	1.56/1.61	55/57	4.3/3.4	0.17/0.13	42/45
SK125AP-22-3	220	50/60	0.05/0.04	8/6	2000/1750	1.30/1.08	46/38	2.3/1.4	0.09/0.06	36/31
SK109AP-11-1	110	50/60	0.25/0.21	17/15	2650/3000	2.6/2.9	95/105	8.9/8.9	0.35/0.35	45/49
SK109AP-11-2	110	50/60	0.14/0.13	12/11	2500/2400	2.3/2.2	84/77	6.0/3.5	0.24/0.14	43/45
SK109AP-11-3	110	50/60	0.10/0.10	9/8	2300/1800	2.2/1.6	76/55	4.0/1.9	0.16/0.07	41/32
SK109AP-22-1	220	50/60	0.12/0.10	17/15	2650/3000	2.6/2.9	95/105	8.9/8.9	0.35/0.35	45/49
SK109AP-22-2	220	50/60	0.07/0.06	12/11	2500/2400	2.3/2.2	84/77	6.0/3.5	0.24/0.14	43/41
SK109AP-22-3	220	50	0.06	9	2050	2.2	76	4.0	0.16	36
SK127AP-11-1	100	50/60	0.218/0.179	18.4/14.6	2700/3000	2.9/3.3	102/116	7.1/8.1	0.28/0.32	50/55
SK127AP-22-1	200	50/60	0.106/0.086	19.3/15.1	2700/3000	2.9/3.3	102/116	7.1/8.1	0.28/0.32	50/55
SK160AP-11-1	110	50/60	0.49/0.49	48/55	2800/3100	9.8/10.8	345/380	19.9/23.3	0.78/0.92	60/64
SK160AP-22-1	220	50/60	0.25/0.25	48/55	2800/3100	9.8/10.8	345/380	19.9/23.3	0.78/0.92	60/64
SK162AP-11-1	110	50/60	0.56/0.50	38/36	2600/2850	5.0/5.4	178/190	11.4/11.0	0.45/0.43	50/53
SK162AP-11-2	110	50/60	0.28/0.27	25/23	2400/2000	4.6/4.0	162/143	9.0/5.0	0.35/0.20	40/42
SK162AP-11-3	110	50/60	0.21/0.19	22/20	2170/1300	4.1/2.8	145/100	5.8/2.8	0.23/0.11	32/34
SK162AP-22-1	220	50/60	0.30/0.25	38/36	2600/2850	5.0/5.4	178/190	11.4/11.0	0.45/0.43	50/53
SK162AP-22-2	220	50/60	0.17/0.16	25/23	2400/2200	4.6/4.0	162/143	9.0/5.0	0.35/0.20	40/42
SK162AP-22-3	220	50/60	0.13/0.12	22/20	2170/1300	4.1/2.8	145/100	5.8/2.8	0.23/0.11	32/34
SK165AP-11-1	110	50/60	0.55/0.47	48.3/39.0	2600/2850	4.5/4.7	160/172	10.3/10.5	0.41/0.41	50/55
SK165AP-22-1	220	50/60	0.28/0.23	50.2/40.8	2600/2850	4.5/4.7	160/172	10.3/10.5	0.41/0.41	50/55
SK170AP-11-1	110	50/60	0.52/0.52	59/56	2675/3046	7.9/8.9	280/315	15.2/18.7	0.60/0.74	56/59
SK170AP-22-1	220	50/60	0.26/0.26	59/56	2609/2960	7.9/8.9	280/315	15.2/18.7	0.60/0.74	56/59
SK172AP-11-1	110	50/60	0.24/0.25	24/28	2800/3200	5.2/5.9	185/208	14.2/17.0	0.56/0.67	56/60
SK172AP-11-2	110	50/60	0.17/0.21	20/23	2550/2400	4.6/4.2	161/149	9.8/8.0	0.39/0.31	53/50
SK172AP-11-3	110	50/60	0.16/0.20	16/18	1450/1750	2.6/3.3	94/116	3.9/5.6	0.15/0.22	36/42
SK172AP-22-1	220	50/60	0.12/0.16	24/28	2800/3200	5.2/5.9	185/208	14.2/17.0	0.56/0.67	56/60
SK172AP-22-2	220	50/60	0.10/0.12	20/23	2550/2300	4.6/4.2	161/149	9.8/8.0	0.39/0.31	53/50
SK172AP-22-3	220	50/60	0.09/0.016	16/18	1450/1750	2.6/3.3	94/116	3.9/5.6	0.15/0.22	36/42
SK176AP-11-1	110	50/60	0.57/0.48	50/52	2800/3250	10.2/11.7	358/415	17.3/22.4	0.68/0.88	61/64
SK176AP-22-1	220	50/60	0.21/0.23	43/52	2800/3250	10.2/11.7	358/415	17.3/22.4	0.68/0.88	61/64
SK180AP-11-1	110	50/60	0.54/0.50	50/52	2800/3250	10.3/11.9	366/420	18.8/23.6	0.74/0.93	60/63
SK180AP-22-1	220	50/60	0.23/0.24	43/52	2800/3250	10.3/11.9	366/420	18.8/23.6	0.74/0.93	60/63
SK205AP-11-1	110	50/60	0.60/1.00	65/102	2850/3250	17.5/19.0	620/670	24.6/13.0	0.97/0.51	68/71
SK205AP-22-1	220	50/60	0.30/0.49	65/102	2850/3250	17.5/19.0	620/670	24.6/13.0	0.97/0.51	68/71
SK225AP-11-1	110	50/60	0.97/0.97	77/105	2920/3450	17.6/20.8	620/735	33.0/43.9	1.30/1.73	63/67
SK225AP-22-1	220	50/60	0.44/0.44	87/105	2920/3450	17.6/20.8	620/735	33.0/43.9	1.30/1.73	63/67
SK254AP-11-1	110	50/60	0.55/0.62	60/67	2100/1800	19.4/17.1	685/605	8.6/7.1	0.34/0.28	61/58
SK254AP-11-2	110	50/60	0.22/0.24	34/37	1400/1600	13.3/15.5	470/546	7.0/8.6	0.28/0.34	54/56
SK254AP-22-1	220	50/60	0.26/0.30	60/67	2100/1800	19.4/17.1	685/605	8.6/7.1	0.34/0.28	61/58
SK254AP-22-2	220	50/60	0.16/0.14	34/37	1400/1600	13.3/15.5	470/546	7.0/8.6	0.28/0.34	54/56
SK280AP-11-1	110	50/60	1.70/2.84	185/300	2800/3200	37.5/41.5	1325/1465	33.7/28.5	1.33/1.12	73/75
SK280AP-11-2	110	50/60	0.82/0.67	61/60	1500/1700	19.3/22.6	680/800	9.8/12.6	0.39/0.50	56/59
SK280AP-22-1	220	50/60	0.80/1.29	185/290	2800/3200	37.5/41.5	1325/1465	33.7/28.5	1.33/1.12	73/75
SK280AP-22-2	220	50/60	0.42/0.35	62/65	1500/1700	19.3/22.6	680/800	9.8/12.6	0.39/0.50	56/59

關於我們

About Us

SK Gives You Cool Air ——

神達企業有限公司，成立於西元一九九五年七月，本業由鋁條原料供應商轉至現今的風扇製造商。從一九七三年起二十年載的五金買賣與製造經驗，加上二十五年風扇生產經驗的累積，讓本公司在電機及工業領域大幅領先他人。一千餘坪的廠房空間位於台灣的台南，我們有各種機器設備、半年份的材料庫存，同時也有馬達生產線與外殼壓鑄廠。神達全系列風扇有十八種型號，尺寸小從八公分到最大二十八公分，多種種類讓客人依照自身的需求做挑選。本公司目前積極地開發各系列風扇及周邊商品，並針對原產品來提高其產能，用高規格控管品質，加強對外貿易關係，且以堅持不懈的理念來永續經營成長。

Founded in 1995, Sheng Kwei is an axial fan manufacturer in Southern Taiwan. We began our journey as an aluminum producer since 1973, following 2 decades of experience and dedication in the raw material industry, we had chosen to focus on the production of AC cooling fan in the next stage. Our motto is to always strive to improve ourselves and welcome any new challenge to perfect our business approach. We actively devote our time and effort to invent new innovative models of AC fans and provide related fan accessories to match with customer requirements. Sheng Kwei is fully recognized by several international regulations, and is certified with UL, CUL, TUV, CE and ISO9001.

證書與認證

Certificates



UL



CUL



ISO 9001



TUV



TUV



LVD



EMC

經營理念

Business Philosophy

服務 Service

我們重視用戶的意見回饋，也極力花心思來維繫跟顧客間的良好關係。神達以熱情且誠實的態度來經營公司上下，得以確保我們能提供消費者極致優良的服務與支持。

We value every user's feedback and we contribute time to maintain the great relation between our customers. Sheng Kwei ensures that it conducts business in an enthusiastic and honest manner in order to provide the ultimate service and support.

品質 Quality

我們擁有專業人員依據ISO9001的相關程序來徹底執行進料檢驗和出廠檢查。定期保養維護的設備器材與完善規劃的製作流程都是讓神達製造出高標準產品的關鍵。

Our professionals thoroughly execute incoming quality control and outgoing quality control according to ISO9001 regulation. Well-maintained equipment and well-planned flowchart are the factors that keeping us to complete high standard fans.

效率 Efficiency

神達不仰賴外包廠商來做主要的委外加工部份，我們有各個生產線的廠房來製作風扇的重要零件：馬達和外殼。同時搭配上完整規劃的製造過程，我們能夠縮短出貨交期、提高效能，因此能減少顧客的等待時間。

Sheng Kwei does not rely on outsourcing suppliers, and has its own factories to make major fan components: motor and housing. Also, combining with organized production system, we manage to shorten the lead time and raise the efficiency.



高品質產出

High Standard Progress

壽命測試 Life Expectancy Test



L10 Test 公式 $t = 1.036 \times MTTFx[(B_{r;c}) \div n]^{0.91} \div AF$

風洞設備 Wind Tunnel Equipment



LW-Series Air Flow Rate & Pressure Measurement Apparatus
Meeting AMCA 210-07 Standard

Fig. 12 Structure

Fig. 15 Structure

Features	Measurement Item	Air Flow Rate Calculation	RQ Chart	PQ Chart
<ul style="list-style-type: none"> fan performance, PQ curve blade design, electric function system & module impedance offer operation air flow rate set up T-Q / R-Q chart 	<ul style="list-style-type: none"> air flow rate : refer to the apparatus accuracy : $\pm 3.5\%$ INFS full scale of indicated nozzle -I, V, rpm of Fan 	<ul style="list-style-type: none"> $Q = C_d \cdot \Sigma A \cdot U$ Q : air flow rate ΣA : nozzle area C_d : discharge coefficient $1/2\rho U^2 = \Delta P = P_{th}$ $\rho_{air} = f(T, T_w, T_c, P_{r,c})$ $C_d = f(Re)$ $Re = f(D, U, \mu, \rho)$ 		

展覽 Exhibitions



A



B

A 德國漢諾威工業展

Hannover Messe
Hall 14, Stand L36
from 2015 until 2019

B 德國慕尼黑電子展

Electronica
Hall A2, Stand 553
in 2016 and 2018

產品運用範圍

Product Application



電子
Electronic

電信設備 Telecommunication
伺服器機櫃 Servo Cabinet
配電盤 Distribution Board



工業
Industrial

自動化系統 Automation System
工具機 Machinery



醫療與美容
Medical and Beauty

電腦斷層掃描 Computed Tomography
美容儀器 Beauty Equipment



食品產業
Food Industry

冷凍冷藏 Refrigeration
廚房設備 Kitchen Facilities
通風設備 Ventilation



SK Gives You Cool Air —

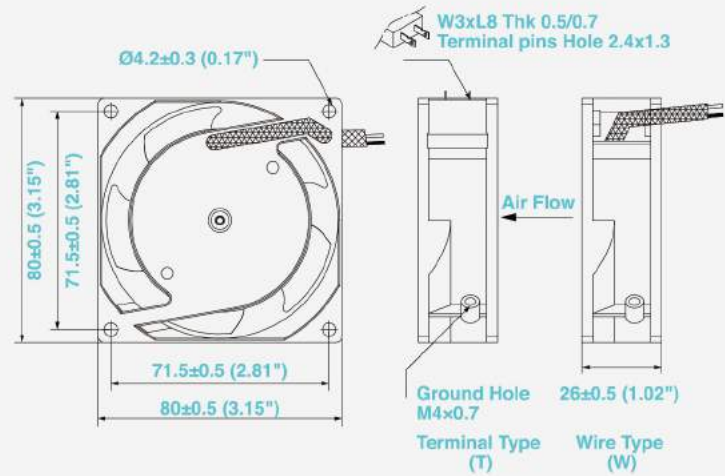
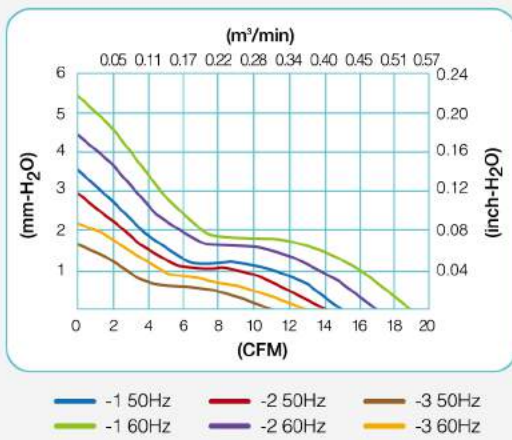
AC FAN SK825AP

80X80X25mm(3.15"x1.0") 11~19 CFM



馬達	Motor	Shaded pole, impedance protected
外殼	Housing / Frame	Die-cast aluminum, Painted black (AP)
風葉	Impeller	PBT thermoplastic + glass fiber, UL 94V-0
軸承	Bearing Type	Two-ball or sleeve available
接電方式	Connection	T-Terminal push-on type or W-Lead wire type
耐壓	Dielectric Strength	1 min. at 1,500VAC, 50/60Hz
溫度範圍	Operating Temp	Ball bearing -20°C~+70°C Sleeve bearing -10°C~+55°C
壽命	Life Expectancy	Ball bearing 60,000 hours at 40°C Sleeve bearing 30,000 hours at 40°C
淨重	Net Weight	260 gm (0.57 pound)
認證	Safety Approvals	UL, CUL, TUV, CE, RoHS

SK825 P-Q Curves



Model No.	Rated VAC	Freq. Hz	Rated Input Amp	Rated Input Watt	Rated Speed RPM	Max. Air Flow m³/min	Max. Air Flow CFM	Max. Static Pressure mm-H ₂ O	Max. Static Pressure inch-H ₂ O	Noise Level (dB)
型號	電壓	頻率	電流	功率	轉速	最大風量	最大風量	最大風壓	最大風壓	噪音
SK825AP-11-1	110 (100V~120V)	50/60	0.17/0.15	15/13	2550/3200	0.42/0.54	15/19	3.6/5.5	0.14/0.22	29/35
SK825AP-11-2	110 (100V~120V)	50/60	0.09/0.08	10/9	2100/2550	0.34/0.42	14/17	2.9/4.2	0.11/0.17	27/29
SK825AP-11-3	110 (100V~120V)	50/60	0.07/0.06	7/6	1750/1850	0.31/0.36	11/13	1.7/2.2	0.06/0.08	23/24
SK825AP-22-1	220 (200V~230V)	50/60	0.08/0.07	15/13	2550/3200	0.42/0.54	15/19	3.6/5.5	0.14/0.22	29/35
SK825AP-22-2	220 (200V~230V)	50/60	0.06/0.05	10/9	2400/2950	0.40/0.51	14/17	2.9/4.2	0.11/0.17	28/32

Customised Item : Frameless, Double Voltage



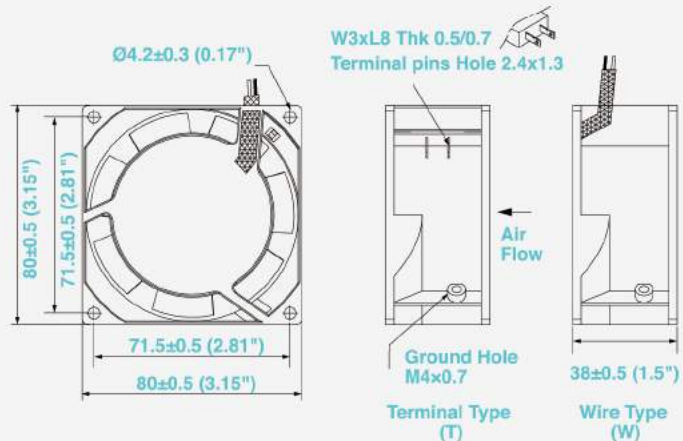
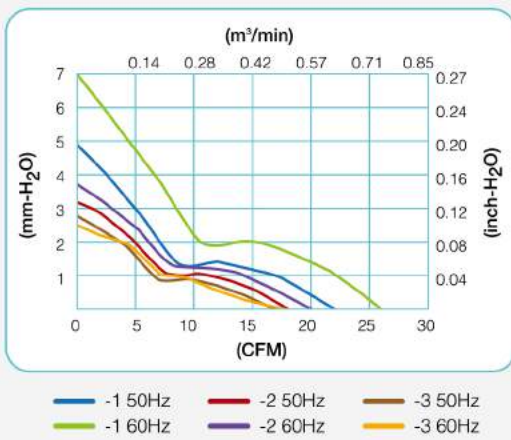
AC FAN SK838AP

80X80X38mm(3.15"×1.5") 17~26 CFM



馬達	Motor	Shaded pole, impedance protected
外殼	Housing / Frame	Die-cast aluminum, Painted black (AP)
風葉	Impeller	PBT thermoplastic + glass fiber, UL 94V-0
軸承	Bearing Type	Two-ball or sleeve available
接電方式	Connection	T-Terminal push-on type or W-Lead wire type
耐壓	Dielectric Strength	1 min. at 1,500VAC, 50/60Hz
溫度範圍	Operating Temp	Ball bearing -20°C~+70°C Sleeve bearing -10°C~+55°C
壽命	Life Expectancy	Ball bearing 60,000 hours at 40°C Sleeve bearing 30,000 hours at 40°C
淨重	Net Weight	370 gm (0.82 pound)
認證	Safety Approvals	UL, CUL, TUV, CE, RoHS

SK838 P-Q Curves



Model No.	Rated VAC	Freq. Hz	Rated Input Amp	Rated Input Watt	Rated Speed RPM	Max. Air Flow m ³ /min CFM	Max. Static Pressure mm-H ₂ O inch-H ₂ O	Noise Level (dB)
型號	電壓	頻率	電流	功率	轉速	最大風量	最大風壓	噪音
SK838AP-11-1	110 (100V~120V)	50/60	0.12/0.10	14/12	2700/3250	0.62/0.74 22/26	4.9/7.0 0.19/0.28	30/37
SK838AP-11-2	110 (100V~120V)	50/60	0.07/0.06	11/9	2250/2550	0.51/0.57 18/20	3.2/3.7 0.13/0.14	26/29
SK838AP-22-1	220 (200V~230V)	50/60	0.06/0.05	14/12	2700/3250	0.62/0.74 22/26	4.9/7.0 0.19/0.28	30/37
SK838AP-22-2	220 (200V~230V)	50/60	0.05/0.04	11/9	2450/2700	0.51/0.57 18/20	3.2/3.7 0.13/0.14	26/29
SK838AP-22-3	220 (200V~230V)	50/60	0.04/0.03	7/5	2200/2200	0.48/0.51 17/18	2.8/2.5 0.11/0.10	25/26

Customised Item : Frameless, Double Voltage, FG,RD



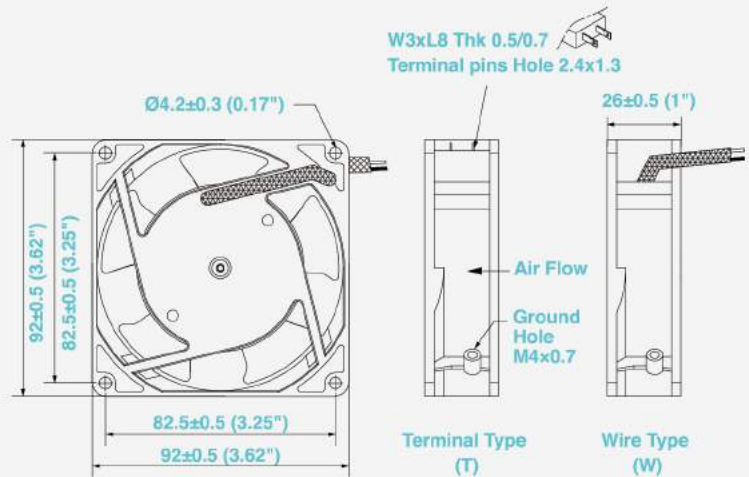
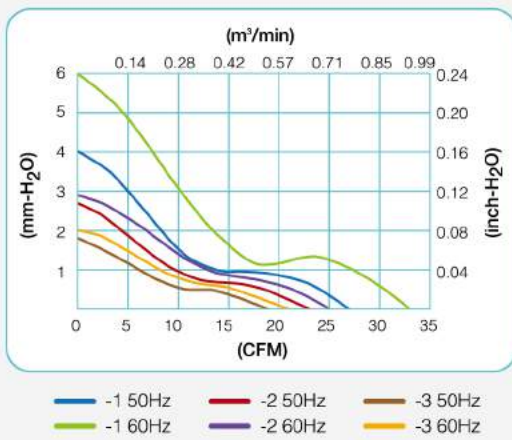
AC FAN SK92AP

92X92X25mm(3.62"×1") 19~33 CFM



馬達	Motor	Shaded pole, impedance protected
外殼	Housing / Frame	Die-cast aluminum, Painted black (AP)
風葉	Impeller	PBT thermoplastic + glass fiber , UL 94V-0
軸承	Bearing Type	Two-ball or sleeve available
接電方式	Connection	T-Terminal push-on type or W-Lead wire type
耐壓	Dielectric Strength	1 min. at 1,500VAC, 50/60Hz
溫度範圍	Operating Temp	Ball bearing -20°C~+70°C Sleeve bearing -10°C~+55°C
壽命	Life Expectancy	Ball bearing 60,000 hours at 40°C Sleeve bearing 30,000 hours at 40°C
淨重	Net Weight	290 gm (0.64 pound)
認證	Safety Approvals	UL, CUL, TUV, CE, RoHS

SK92 P-Q Curves



Model No.	Rated VAC	Freq. Hz	Rated Input Amp	Rated Input Watt	Rated Speed RPM	Max. Air Flow m ³ /min CFM	Max. Static Pressure mm-H ₂ O inch-H ₂ O	Noise Level (dB)
型號	電壓	頻率	電流	功率	轉速	最大風量	最大風壓	噪音
SK92AP-11-1	110 (100V~120V)	50/60	0.18/0.16	15/13	2400/3000	0.76/0.93 27/33	4.0/6.0 0.16/0.24	31/39
SK92AP-11-2	110 (100V~120V)	50/60	0.09/0.08	10/9	2100/2300	0.65/0.71 23/25	2.7/2.9 0.11/0.11	28/31
SK92AP-11-3	110 (100V~120V)	50/60	0.07/0.06	7/6	1700/1750	0.53/0.59 19/21	1.8/2.0 0.07/0.08	26/26
SK92AP-22-1	220 (200V~230V)	50/60	0.08/0.07	15/13	2400/2900	0.76/0.93 27/33	4.0/6.0 0.16/0.24	31/38
SK92AP-22-2	220 (200V~230V)	50/60	0.06/0.05	10/9	2100/2350	0.65/0.71 23/25	2.7/2.9 0.11/0.11	28/32
SK92AP-22-3	220 (200V~230V)	50/60	0.05/0.04	7/6	1650/1850	0.53/0.59 9/21	1.8/2.0 0.07/0.08	23/27

Customised Item : Frameless, Double Voltage



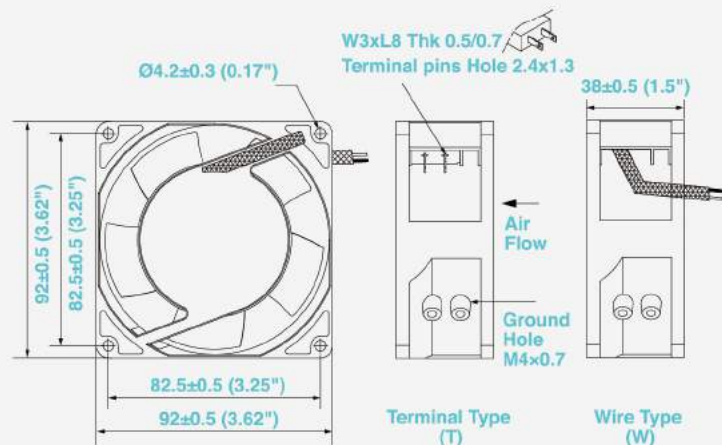
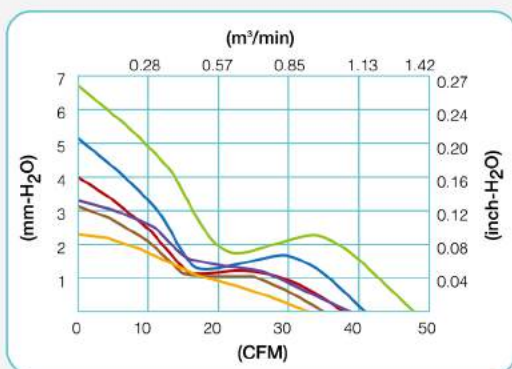
AC FAN SK938AP

92X92X38mm(3.62"×1.5") 33~48 CFM



馬達	Motor	Shaded pole, impedance protected
外殼	Housing / Frame	Die-cast aluminum, Painted black (AP)
風葉	Impeller	PBT thermoplastic + glass fiber, UL 94V-0
軸承	Bearing Type	Two-ball or sleeve available
接電方式	Connection	T-Terminal push-on type or W-Lead wire type
耐壓	Dielectric Strength	1 min. at 1,500VAC, 50/60Hz
溫度範圍	Operating Temp	Ball bearing -20°C~+70°C Sleeve bearing -10°C~+55°C
壽命	Life Expectancy	Ball bearing 60,000 hours at 40°C Sleeve bearing 30,000 hours at 40°C
淨重	Net Weight	450 gm (0.99 pound)
認證	Safety Approvals	UL, CUL, TUV, CE, RoHS

SK938 P-Q Curves



Model No.	Rated VAC	Freq. Hz	Rated Input Amp	Rated Input Watt	Rated Speed RPM	Max. Air Flow m ³ /min CFM	Max. Static Pressure mm-H ₂ O inch-H ₂ O	Noise Level (dB)
型號	電壓	頻率	電流	功率	轉速	最大風量	最大風壓	噪音
SK938AP-11-1	110 (100V~120V)	50/60	0.12/0.11	14/12	2700/3200	1.16/1.36 41/48	5.1/6.7 0.20/0.26	34/39
SK938AP-11-2	110 (100V~120V)	50/60	0.07/0.06	11/9	2400/2550	1.08/1.10 38/39	4.0/3.3 0.16/0.13	32/35
SK938AP-11-3	110 (100V~120V)	50/60	0.05/0.04	7/5	2200/1950	0.99/0.93 35/33	3.2/2.3 0.13/0.09	30/27
SK938AP-22-1	220 (200V~230V)	50/60	0.06/0.05	14/12	2600/3050	1.16/1.36 41/48	5.1/6.7 0.20/0.26	33/38
SK938AP-22-2	220 (200V~230V)	50/60	0.05/0.04	11/9	2400/2550	1.08/1.10 38/39	4.0/3.3 0.16/0.13	32/35

Customised Item : Frameless, Double Voltage, FG,RD



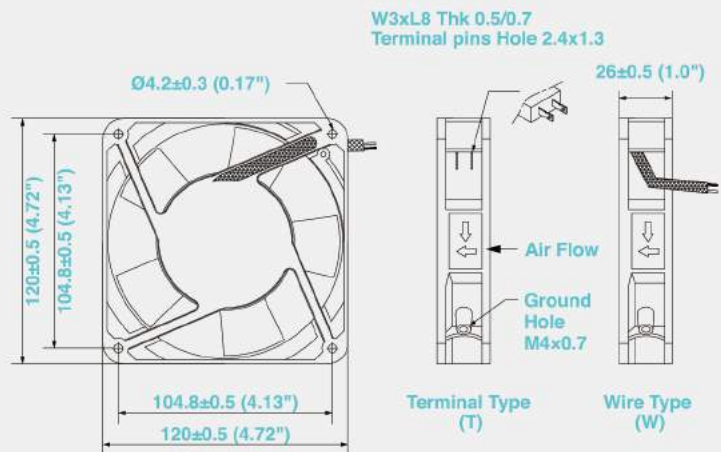
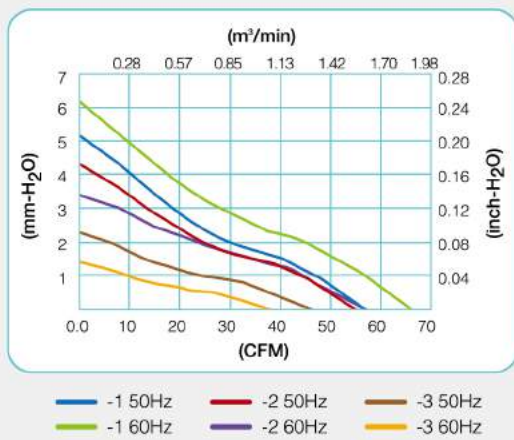
AC FAN SK125AP

120X120X25mm(4.72"x1") 38~66 CFM



馬達	Motor	Shaded pole, impedance protected
外殼	Housing / Frame	Die-cast aluminum, Painted black (AP) or Plated (AN)
風葉	Impeller	PBT thermoplastic + glass fiber, UL 94V-0
軸承	Bearing Type	Two-ball or sleeve available
接電方式	Connection	T-Terminal push-on type or W-Lead wire type
耐壓	Dielectric Strength	1 min. at 1,500VAC, 50/60Hz
溫度範圍	Operating Temp	Ball bearing -20°C~+70°C Sleeve bearing -10°C~+55°C
壽命	Life Expectancy	Ball bearing 60,000 hours at 40°C Sleeve bearing 30,000 hours at 40°C
淨重	Net Weight	390 gm (0.86 pound)
認證	Safety Approvals	UL, CUL, TUV, CE, RoHS

SK125 P-Q Curves



Model No.	Rated VAC	Freq. Hz	Rated Input Amp	Rated Input Watt	Rated Speed RPM	Max. Air Flow m ³ /min	Max. Air Flow CFM	Max. Static Pressure mm-H ₂ O	Max. Static Pressure inch-H ₂ O	Noise Level (dB)
型號	電壓	頻率	電流	功率	轉速	最大風量		最大風壓		噪音
SK125AP-11-1	110 (100V~120V)	50/60	0.25/0.20	17/15	2550/3000	1.61/1.87	57/66	5.2/6.2	0.20/0.24	44/48
SK125AP-11-2	110 (100V~120V)	50/60	0.09/0.08	12/10	2400/2600	1.56/1.61	55/57	4.3/3.4	0.17/0.13	42/45
SK125AP-11-3	110 (100V~120V)	50/60	0.06/0.05	8/6	2100/1900	1.30/1.08	46/38	2.3/1.4	0.09/0.06	39/35
SK125AP-22-1	220 (200V~230V)	50/60	0.09/0.07	17/15	2550/3000	1.61/1.87	57/66	5.2/6.2	0.20/0.24	44/48
SK125AP-22-2	220 (200V~230V)	50/60	0.06/0.05	12/10	2400/2600	1.56/1.61	55/57	4.3/3.4	0.17/0.13	42/45
SK125AP-22-3	220 (200V~230V)	50/60	0.05/0.04	8/6	2000/1750	1.30/1.08	46/38	2.3/1.4	0.09/0.06	36/31

Customised Item : Frameless, Double Voltage



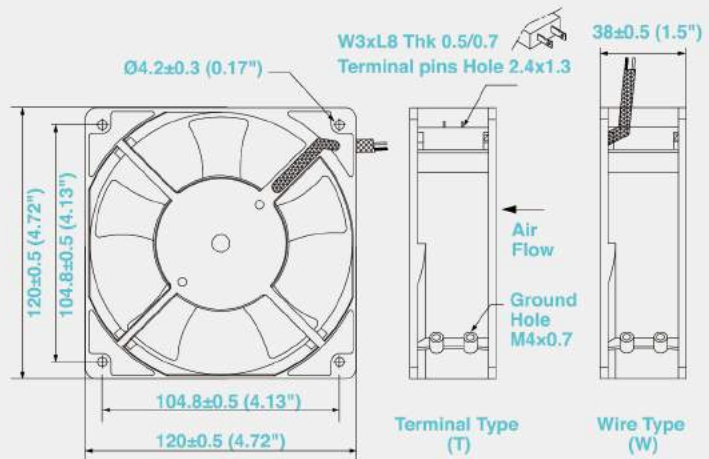
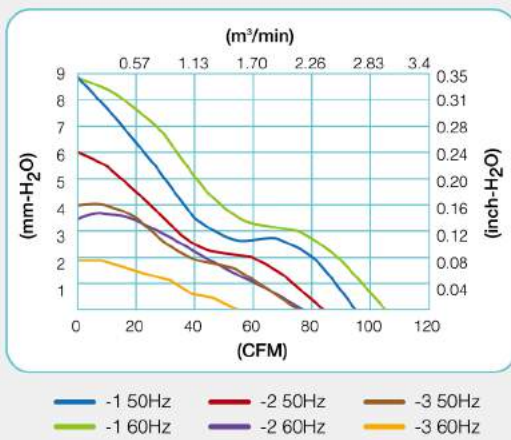
AC FAN SK109AP

120X120X38mm(4.72"×1.5") 55~105 CFM



馬達	Motor	Shaded pole, impedance protected
外殼	Housing / Frame	Die-cast aluminum, Painted black (AP) or Plated (AN)
風葉	Impeller	PBT thermoplastic + glass fiber, UL 94V-0
軸承	Bearing Type	Two-ball or sleeve available
接電方式	Connection	T-Terminal push-on type or W-Lead wire type
耐壓	Dielectric Strength	1 min. at 1,500VAC, 50/60Hz
溫度範圍	Operating Temp	Ball bearing -20°C~+70°C Sleeve bearing -10°C~+55°C
壽命	Life Expectancy	Ball bearing 60,000 hours at 40°C Sleeve bearing 30,000 hours at 40°C
淨重	Net Weight	550 gm (1.2 pounds)
認證	Safety Approvals	UL, CUL, TUV, CE, RoHS

SK109 P-Q Curves



Model No.	Rated VAC	Freq. Hz	Rated Input Amp	Rated Input Watt	Rated Speed RPM	Max. Air Flow m ³ /min	Max. Air Flow CFM	Max. Static Pressure mm-H ₂ O	Max. Static Pressure inch-H ₂ O	Noise Level (dB)
型號	電壓	頻率	電流	功率	轉速	最大風量	最大風量	最大風壓	最大風壓	噪音
SK109AP-11-1	110 (100V~120V)	50/60	0.25/0.21	17/15	2650/3000	2.6/2.9	95/105	8.9/8.9	0.35/0.35	45/49
SK109AP-11-2	110 (100V~120V)	50/60	0.14/0.13	12/11	2500/2400	2.3/2.2	84/77	6.0/3.5	0.24/0.14	43/45
SK109AP-11-3	110 (100V~120V)	50/60	0.10/0.10	9/8	2300/1800	2.2/1.6	76/55	4.0/1.9	0.16/0.07	41/32
SK109AP-22-1	220 (200V~230V)	50/60	0.12/0.10	17/15	2650/3000	2.6/2.9	95/105	8.9/8.9	0.35/0.35	45/49
SK109AP-22-2	220 (200V~230V)	50/60	0.07/0.06	12/11	2500/2400	2.3/2.2	84/77	6.0/3.5	0.24/0.14	43/41
SK109AP-22-3	220 (200V~230V)	50	0.06	9	2050	2.2	76	4.0	0.16	36

Customised Item : Frameless, Double Voltage, FG,RD



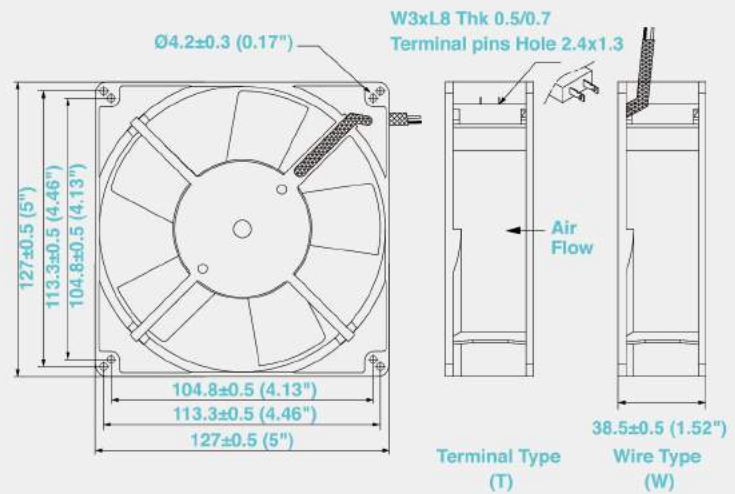
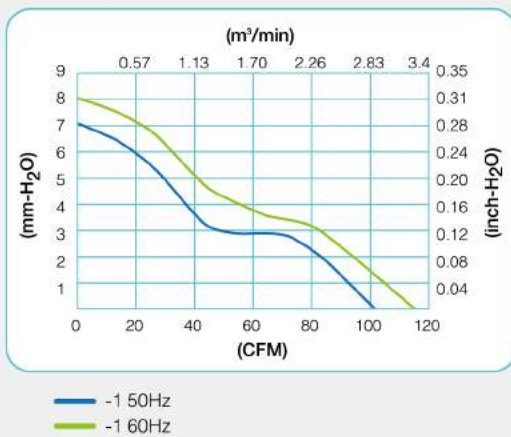
AC FAN SK127AP

127X127X38mm(5"×1.5") 102~116 CFM



馬達	Motor	Shaded pole, impedance protected
外殼	Housing / Frame	Die-cast aluminum, Painted black (AP) or Plated (AN)
風葉	Impeller	PBT thermoplastic + glass fiber, UL 94V-0
軸承	Bearing Type	Two-ball or sleeve available
接電方式	Connection	T-Terminal push-on type or W-Lead wire type
耐壓	Dielectric Strength	1 min. at 1,500VAC, 50/60Hz
溫度範圍	Operating Temp	Ball bearing -20°C~+70°C Sleeve bearing -10°C~+55°C
壽命	Life Expectancy	Ball bearing 60,000 hours at 40°C Sleeve bearing 30,000 hours at 40°C
淨重	Net Weight	590 gm (1.3 pounds)
認證	Safety Approvals	UL, CUL, TUV, CE, RoHS

SK127 P-Q Curves



Model No.	Rated VAC	Freq. Hz	Rated Input Amp	Rated Input Watt	Rated Speed RPM	Max. Air Flow m ³ /min CFM	Max. Static Pressure mm-H ₂ O inch-H ₂ O	Noise Level (dB)
型號	電壓	頻率	電流	功率	轉速	最大風量	最大風壓	噪音
SK127AP-11-1	100 (100V~120V)	50/60	0.218/0.179	18.4/14.6	2700/3000	2.9/3.3 102/116	7.1/8.1 0.28/0.32	50/55
SK127AP-22-1	200 (220V~230V)	50/60	0.106/0.086	19.3/15.1	2700/3000	2.9/3.3 102/116	7.1/8.1 0.28/0.32	50/55

Customised Item : Frameless, Double Voltage, FG,RD



AC FAN SK160AP

160X160X62mm(6.3"x2.44") 345~380 CFM



馬達 Motor

Single phase induction capacitor motor, thermally protected

外殼 Housing / Frame

Die-cast aluminum, Painted black (AP) or Plated (AN)

風葉 Impeller

PBT thermoplastic + glass fiber, UL 94V-0

軸承 Bearing Type

Two-ball bearing

接電方式 Connection

T-Terminal push-on type or W-Lead wire type

耐壓 Dielectric Strength

1 min. at 1,500VAC, 50/60Hz

溫度範圍 Operating Temp

Recommended ambient range -20°C~+70°C

壽命 Life Expectancy

60,000 hours at 40°C

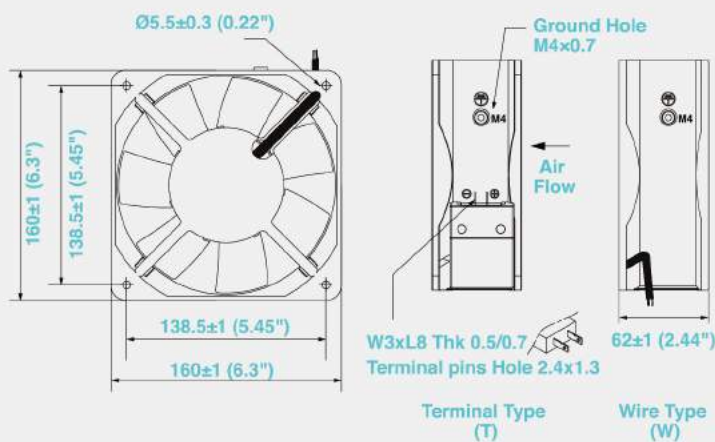
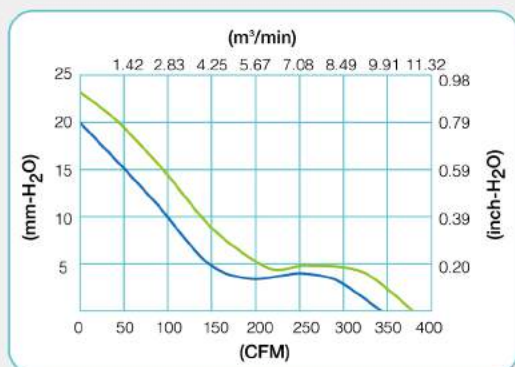
淨重 Net Weight

1.4 kg (3.09 pounds)

認證 Safety Approvals

UL, CUL, TUV, CE, RoHS

SK160 P-Q Curves



Model No.	Rated VAC	Freq. Hz	Rated Input Amp	Rated Input Watt	Rated Speed RPM	Max. Air Flow m ³ /min CFM	Max. Static Pressure mm-H ₂ O inch-H ₂ O	Noise Level (dB)
型號	電壓	頻率	電流	功率	轉速	最大風量	最大風壓	噪音
SK160AP-11-1	110 (100V~120V)	50/60	0.49/0.49	48/55	2800/3100	9.8/10.8 345/380	19.9/23.3 0.78/0.92	60/64
SK160AP-22-1	220 (200V~240V)	50/60	0.25/0.25	48/55	2800/3100	9.8/10.8 345/380	19.9/23.3 0.78/0.92	60/64

Customised Item : Double Voltage, FG,RD



AC FAN SK162AP

172X150X51mm(6.77"×5.91"×2.01") 100~190 CFM



馬達 Motor

外殼 Housing / Frame

風葉 Impeller

軸承 Bearing Type

接電方式 Connection

耐壓 Dielectric Strength

溫度範圍 Operating Temp

壽命 Life Expectancy

淨重 Net Weight

認證 Safety Approvals

Shaded pole, impedance protected or thermally protected

Die-cast aluminum, Painted black (AP) or Plated (AN)

PBT thermoplastic + glass fiber, UL 94V-0

Two-ball bearing

T-Terminal push-on type or W-Lead wire type

1 min. at 1,500VAC, 50/60Hz

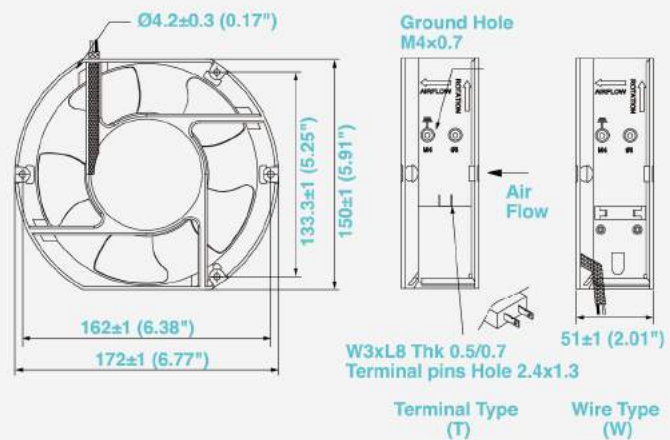
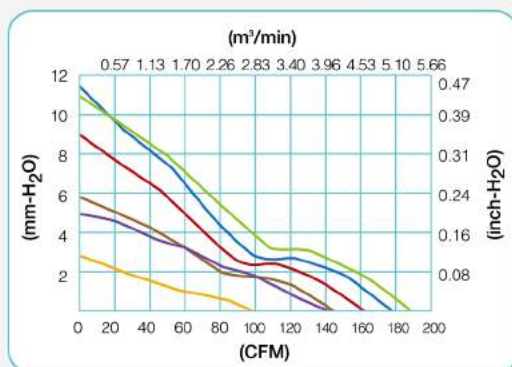
Ambient -20°C~+55°C

60,000 hours at 40°C

1,050 gm (2.31 pounds)

UL, CUL, TUV, CE, RoHS

SK162 P-Q Curves



Model No.	Rated VAC	Freq. Hz	Rated Input Amp	Rated Input Watt	Rated Speed RPM	Max. Air Flow m ³ /min	Max. Air Flow CFM	Max. Static Pressure mm-H ₂ O	Max. Static Pressure inch-H ₂ O	Noise Level (dB)
型號	電壓	頻率	電流	功率	轉速	最大風量	最大風量	最大風壓	最大風壓	噪音
SK162AP-11-1	110 (100V~120V)	50/60	0.56/0.50	38/36	2600/2850	5.0/5.4	178/190	11.4/11.0	0.45/0.43	50/53
SK162AP-11-2	110 (100V~120V)	50/60	0.28/0.27	25/23	2400/2000	4.6/4.0	162/143	9.0/5.0	0.35/0.20	40/42
SK162AP-11-3	110 (100V~120V)	50/60	0.21/0.19	22/20	2170/1300	4.1/2.8	145/100	5.8/2.8	0.23/0.11	32/34
SK162AP-22-1	220 (200V~230V)	50/60	0.30/0.25	38/36	2600/2850	5.0/5.4	178/190	11.4/11.0	0.45/0.43	50/53
SK162AP-22-2	220 (200V~230V)	50/60	0.17/0.16	25/23	2400/2200	4.6/4.0	162/143	9.0/5.0	0.35/0.20	40/42
SK162AP-22-3	220 (200V~230V)	50/60	0.13/0.12	22/20	2170/1300	4.1/2.8	145/100	5.8/2.8	0.23/0.11	32/34

Customised Item : Frameless, Double Voltage



AC FAN SK165AP

172X150X55mm(6.77"×5.91"×2.17") 160~172 CFM



馬達 Motor

外殼 Housing / Frame

風葉 Impeller

軸承 Bearing Type

接電方式 Connection

耐壓 Dielectric Strength

溫度範圍 Operating Temp

壽命 Life Expectancy

淨重 Net Weight

認證 Safety Approvals

Shaded pole, impedance protected or thermally protected

Die-cast aluminum, Painted black (AP) or Plated (AN)

PBT thermoplastic + glass fiber, UL 94V-0

Two-ball bearing

W-Lead wire type

1 min. at 1,500VAC, 50/60Hz

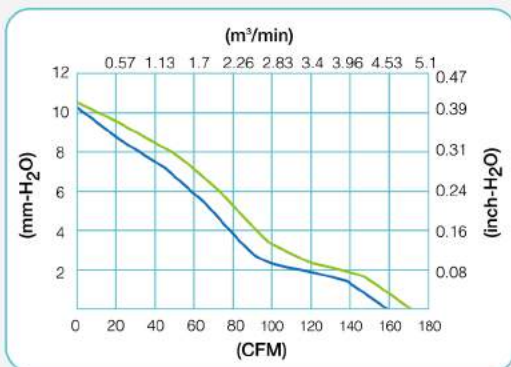
Ambient -20°C~+55°C

60,000 hours at 40°C

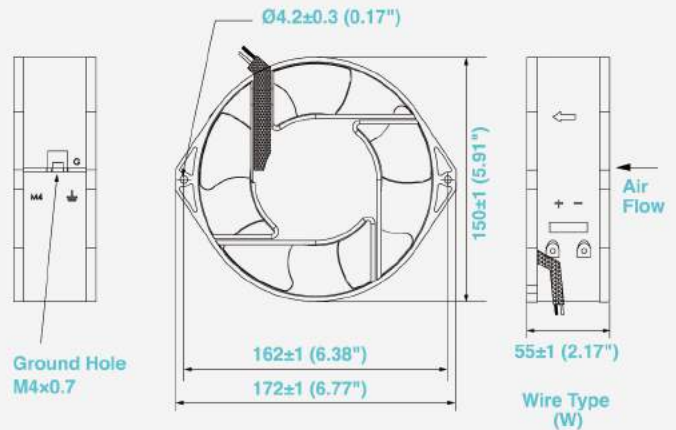
904 gm (1.99 pounds)

UL, CUL, TUV, CE, RoHS

SK165 P-Q Curves



— -1 50Hz
— -1 60Hz



Model No.	Rated VAC	Freq. Hz	Rated Input Amp	Rated Input Watt	Rated Speed RPM	Max. Air Flow m ³ /min CFM	Max. Static Pressure mm-H ₂ O inch-H ₂ O	Noise Level (dB)
型號	電壓	頻率	電流	功率	轉速	最大風量	最大風壓	噪音
SK165AP-11-1	110 (100V~120V)	50/60	0.55/0.47	48.3/39.0	2600/2850	4.5/4.7 160/172	10.3/10.5 0.41/0.41	50/55
SK165AP-22-1	220 (200V~230V)	50/60	0.28/0.23	50.2/40.8	2600/2850	4.5/4.7 160/172	10.3/10.5 0.41/0.41	50/55

Customised Item : Frameless, Double Voltage



AC FAN SK170AP

172X150X51mm(6.77"x5.91"x2.01") 280~315 CFM



馬達 Motor

外殼 Housing / Frame

風葉 Impeller

軸承 Bearing Type

接電方式 Connection

耐壓 Dielectric Strength

溫度範圍 Operating Temp

壽命 Life Expectancy

淨重 Net Weight

認證 Safety Approvals

Single phase induction capacitor motor, thermally protected

Die-cast aluminum, Painted black (AP) or Plated (AN)
PC thermoplastic + glass fiber, UL 94V-0

Two-ball bearing

T-Terminal push-on type or W-Lead wire type

1 min. at 1,500VAC, 50/60Hz

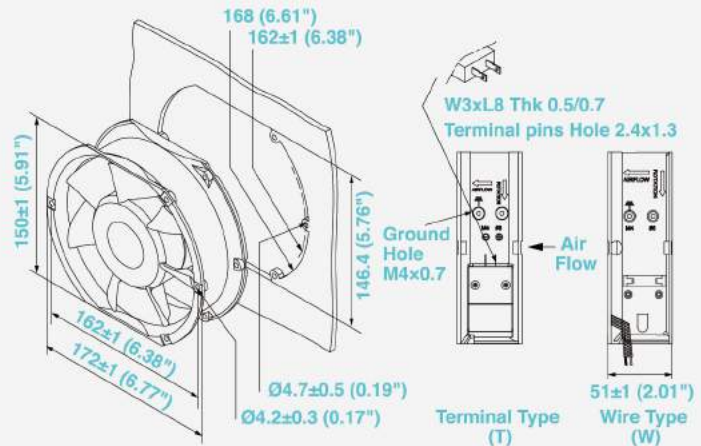
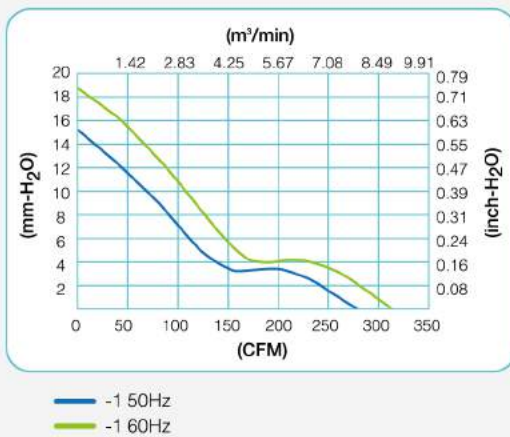
Ambient -20°C~+70°C

60,000 hours at 40°C

1,013 gm (2.23 pounds)

UL, CUL, TUV, CE, RoHS

SK170 P-Q Curves



Model No.	Rated VAC	Freq. Hz	Rated Input Amp	Rated Input Watt	Rated Speed RPM	Max. Air Flow m³/min CFM	Max. Static Pressure mm-H ₂ O inch-H ₂ O	Noise Level (dB)
型號	電壓	頻率	電流	功率	轉速	最大風量	最大風壓	噪音
SK170AP-11-1	110 (100V~120V)	50/60	0.52/0.52	59/56	2675/3046	7.9/8.9 280/315	15.2/18.7 0.60/0.74	56/59
SK170AP-22-1	220 (200V~240V)	50/60	0.26/0.26	59/56	2609/2960	7.9/8.9 280/315	15.2/18.7 0.60/0.74	56/59

Customised Item : Frameless, Double Voltage, FG,RD



AC FAN SK172AP

172X150X51mm(6.77"x5.91"x2.01") 94~208 CFM



馬達 Motor

外殼 Housing / Frame

風葉 Impeller

軸承 Bearing Type

接電方式 Connection

耐壓 Dielectric Strength

溫度範圍 Operating Temp

壽命 Life Expectancy

淨重 Net Weight

認證 Safety Approvals

Single phase induction capacitor motor, thermally protected or impedance protected

Die-cast aluminum, Painted black (AP) or Plated (AN)

PBT thermoplastic + glass fiber, UL 94V-0

Two-ball bearing

T-Terminal push-on type or W-Lead wire type

1 min. at 1,500VAC, 50/60Hz

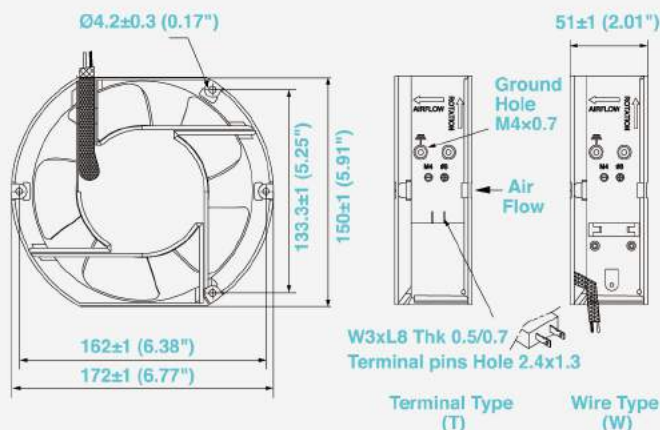
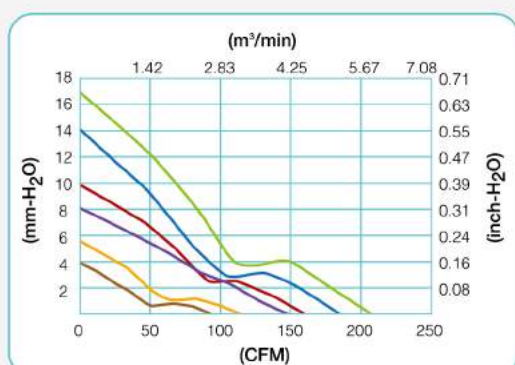
Ambient -20°C~+80°C

60,000 hours at 40°C

1,050 gm (2.31 pounds)

UL, CUL, TUV, CE, RoHS

SK172 P-Q Curves



Model No.	Rated VAC	Freq. Hz	Rated Input Amp	Rated Input Watt	Rated Speed RPM	Max. Air Flow m ³ /min CFM	Max. Static Pressure mm-H ₂ O inch-H ₂ O	Noise Level (dB)
型號	電壓	頻率	電流	功率	轉速	最大風量	最大風壓	噪音
SK172AP-11-1	110 (100V~120V)	50/60	0.24/0.25	24/28	2800/3200	5.2/5.9 185/208	14.2/17.0 0.56/0.67	56/60
SK172AP-11-2	110 (100V~120V)	50/60	0.17/0.21	20/23	2550/2400	4.6/4.2 161/149	9.8/8.0 0.39/0.31	53/50
SK172AP-11-3	110 (100V~120V)	50/60	0.16/0.20	16/18	1450/1750	2.6/3.3 94/116	3.9/5.6 0.15/0.22	36/42
SK172AP-22-1	220 (200V~240V)	50/60	0.12/0.16	24/28	2800/3200	5.2/5.9 185/208	14.2/17.0 0.56/0.67	56/60
SK172AP-22-2	220 (200V~240V)	50/60	0.10/0.12	20/23	2550/2300	4.6/4.2 161/149	9.8/8.0 0.39/0.31	53/50
SK172AP-22-3	220 (200V~240V)	50/60	0.09/0.016	16/18	1450/1750	2.6/3.3 94/116	3.9/5.6 0.15/0.22	36/42

Customised Item : Frameless, Double Voltage, FG,RD



AC FAN SK176AP

176X176X89mm(6.93"×3.5") 358~415 CFM



馬達 Motor

Single phase induction capacitor motor, thermally protected

外殼 Housing / Frame

Die-cast aluminum, Painted black (AP) or Plated (AN)

風葉 Impeller

PC thermoplastic + glass fiber, UL 94V-0

軸承 Bearing Type

Two-ball bearing

接電方式 Connection

T-Terminal push-on type or W-Lead wire type

耐壓 Dielectric Strength

1 min. at 1,500VAC, 50/60Hz

溫度範圍 Operating Temp

Recommended ambient range -20°C~+70°C

壽命 Life Expectancy

60,000 hours at 40°C

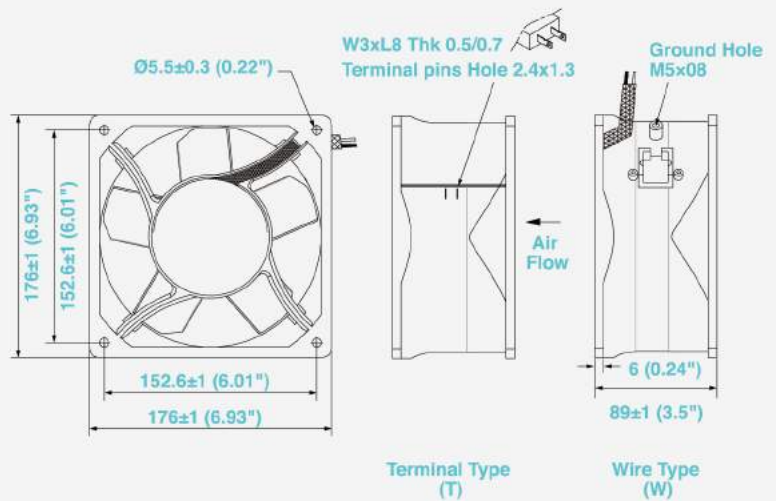
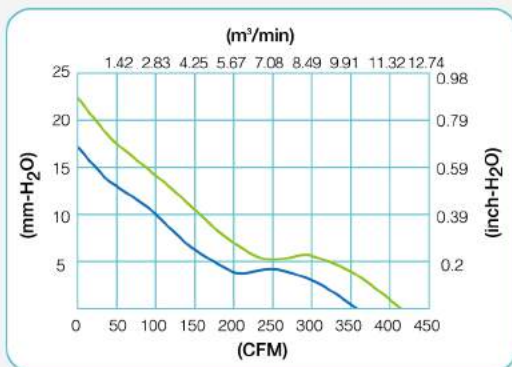
淨重 Net Weight

2 kg (4.4 pounds)

認證 Safety Approvals

UL, CUL, TUV, CE, RoHS

SK176 P-Q Curves



Model No.	Rated VAC	Freq. Hz	Rated Input Amp	Rated Input Watt	Rated Speed RPM	Max. Air Flow m ³ /min CFM	Max. Static Pressure mm-H ₂ O inch-H ₂ O	Noise Level (dB)
型號	電壓	頻率	電流	功率	轉速	最大風量	最大風壓	噪音
SK176AP-11-1	110 (100V~120V)	50/60	0.57/0.48	50/52	2800/3250	10.2/11.7 358/415	17.3/22.4 0.68/0.88	61/64
SK176AP-22-1	220 (200V~240V)	50/60	0.21/0.23	43/52	2800/3250	10.2/11.7 358/415	17.3/22.4 0.68/0.88	61/64

Customised Item : Double Voltage, FG,RD



AC FAN SK180AP

180X180X65mm(7.09"×2.56") 366~420 CFM



馬達 Motor

外殼 Housing / Frame

風葉 Impeller

軸承 Bearing Type

接電方式 Connection

耐壓 Dielectric Strength

溫度範圍 Operating Temp

壽命 Life Expectancy

淨重 Net Weight

認證 Safety Approvals

Single phase induction capacitor motor, thermally protected

Die-cast aluminum, Painted black (AP) or Plated (AN)

PC thermoplastic + glass fiber, UL 94V-0

Two-ball bearing

T-Terminal push-on type or W-Lead wire type

1 min. at 1,500VAC, 50/60Hz

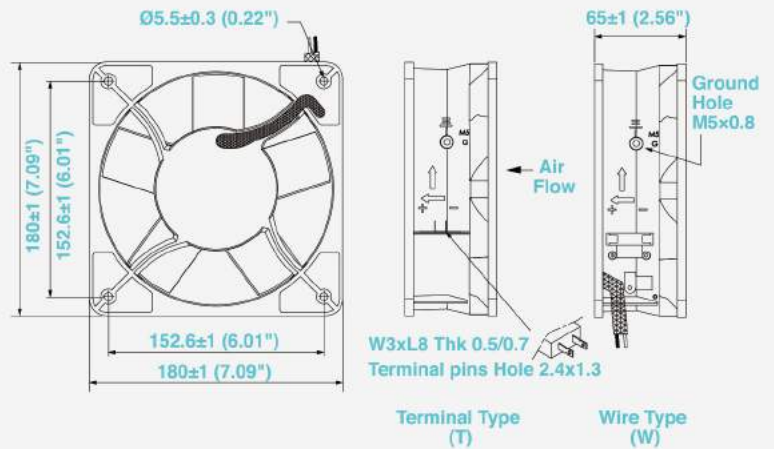
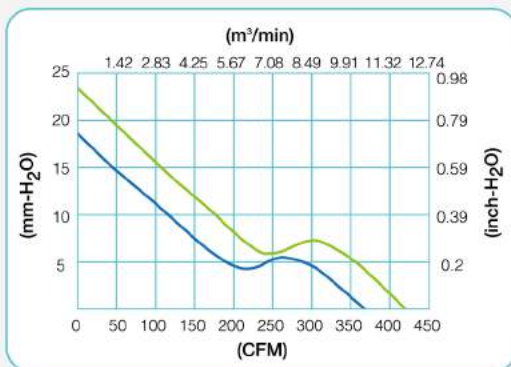
Recommended ambient range -20°C~+70°C

60,000 hours at 40°C

1.8 kg (3.97 pounds)

UL, CUL, TUV, CE, RoHS

SK180 P-Q Curves



Model No.	Rated VAC	Freq. Hz	Rated Input Amp	Rated Input Watt	Rated Speed RPM	Max. Air Flow m ³ /min CFM	Max. Static Pressure mm-H ₂ O inch-H ₂ O	Noise Level (dB)
型號	電壓	頻率	電流	功率	轉速	最大風量	最大風壓	噪音
SK180AP-11-1	110 (100V~120V)	50/60	0.54/0.50	50/52	2800/3250	10.3/11.9 366/420	18.8/23.6 0.74/0.93	60/63
SK180AP-22-1	220 (200V~240V)	50/60	0.23/0.24	43/52	2800/3250	10.3/11.9 366/420	18.8/23.6 0.74/0.93	60/63

Customised Item : Double Voltage, FG,RD



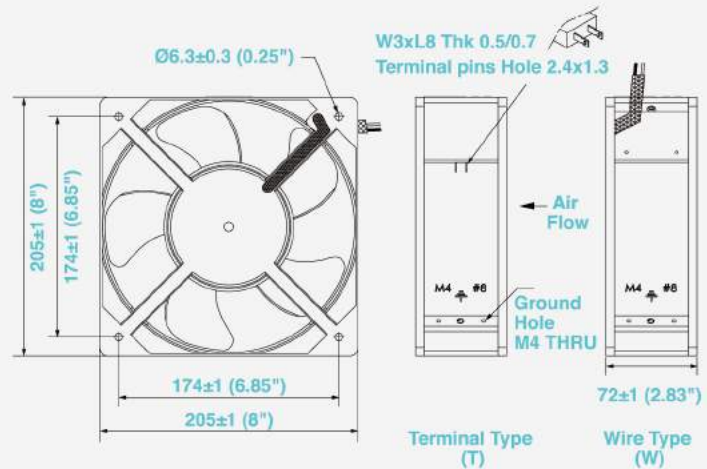
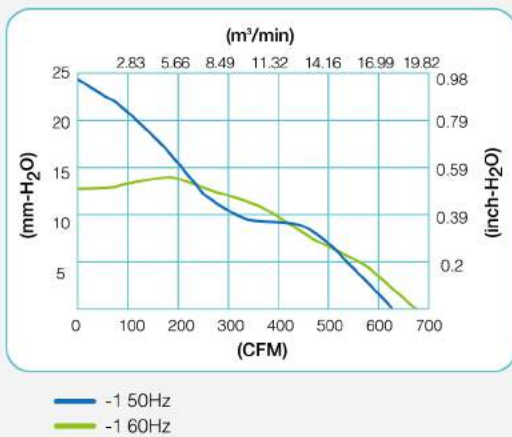
AC FAN SK205AP

205X205X72mm(8"×2.83") 620~670 CFM



馬達	Motor	Single phase induction capacitor motor, thermally protected
外殼	Housing / Frame	Die-cast aluminum, Painted black (AP) or Plated (AN)
風葉	Impeller	PC thermoplastic + glass fiber, UL 94V-0
軸承	Bearing Type	Two-ball bearing
接電方式	Connection	T-Terminal push-on type or W-Lead wire type
耐壓	Dielectric Strength	1 min. at 1,500VAC, 50/60Hz
溫度範圍	Operating Temp	Recommended ambient range -20°C~+70°C
壽命	Life Expectancy	60,000 hours at 40°C
淨重	Net Weight	2.1 kg (4.6 pounds)
認證	Safety Approvals	UL, CUL, TUV, CE, RoHS

SK205 P-Q Curves



Model No.	Rated VAC	Freq. Hz	Rated Input Amp	Rated Input Watt	Rated Speed RPM	Max. Air Flow m ³ /min CFM	Max. Static Pressure mm-H ₂ O inch-H ₂ O	Noise Level (dB)
型號	電壓	頻率	電流	功率	轉速	最大風量	最大風壓	噪音
SK205AP-11-1	110 (100V~120V)	50/60	0.60/1.00	65/102	2850/3250	17.5/19.0 620/670	24.6/13.0 0.97/0.51	68/71
SK205AP-22-1	220 (200V~240V)	50/60	0.30/0.49	65/102	2850/3250	17.5/19.0 620/670	24.6/13.0 0.97/0.51	68/71

Customised Item : Double Voltage, FG,RD



AC FAN SK225AP

225X225X80mm(8.86"×3.15") 620~735 CFM



馬達 Motor

Single phase induction capacitor motor, thermally protected

外殼 Housing / Frame

Die-cast aluminum, Painted black (AP) or Plated (AN)

風葉 Impeller

PC thermoplastic + glass fiber, UL 94V-0

軸承 Bearing Type

Two-ball bearing

接電方式 Connection

T-Terminal push-on type or W-Lead wire type

耐壓 Dielectric Strength

1 min. at 1,500VAC, 50/60Hz

溫度範圍 Operating Temp

Recommended ambient range -20°C~+70°C

壽命 Life Expectancy

60,000 hours at 40°C

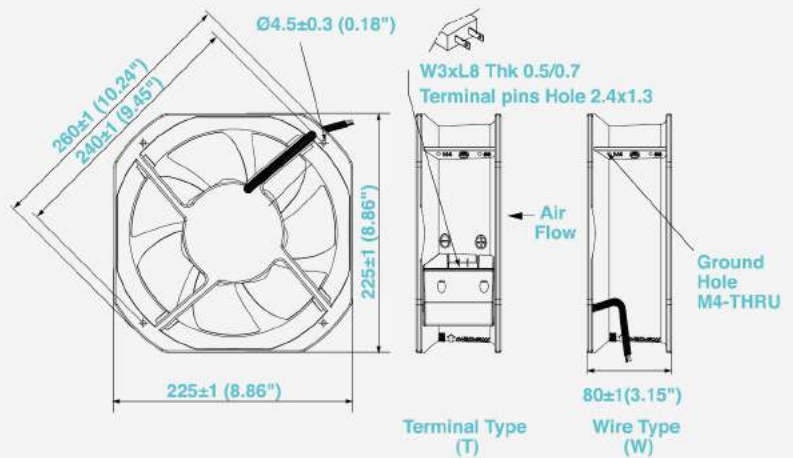
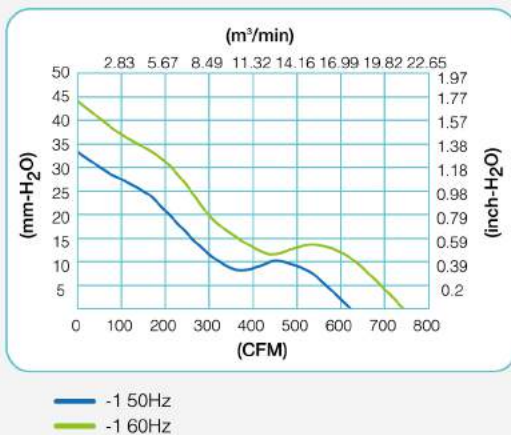
淨重 Net Weight

2.88 kg (6.35 pound)

認證 Safety Approvals

UL, CUL, TUV, CE, RoHS

SK225 P-Q Curves



Model No.	Rated VAC	Freq. Hz	Rated Input Amp	Rated Input Watt	Rated Speed RPM	Max. Air Flow m ³ /min CFM	Max. Static Pressure mm-H ₂ O inch-H ₂ O	Noise Level (dB)
型號	電壓	頻率	電流	功率	轉速	最大風量	最大風壓	噪音
SK225AP-11-1	110 (100V~120V)	50/60	0.97/0.97	77/105	2920/3450	17.6/20.8 620/735	33.0/43.9 1.30/1.73	63/67
SK225AP-22-1	220 (200V~240V)	50/60	0.44/0.44	87/105	2920/3450	17.6/20.8 620/735	33.0/43.9 1.30/1.73	63/67

Customised Item : Double Voltage



AC FAN SK254AP

254X89mm(10"×3.5") 470~685 CFM



馬達 Motor

外殼 Housing / Frame

風葉 Impeller

軸承 Bearing Type

接電方式 Connection

耐壓 Dielectric Strength

溫度範圍 Operating Temp

壽命 Life Expectancy

淨重 Net Weight

認證 Safety Approvals

Single phase induction capacitor motor, thermally protected

Die-cast aluminum, Painted black (AP) or Plated (AN)

PC thermoplastic + glass fiber, UL 94V-0

Two-ball bearing

T-Terminal push-on type or W-Lead wire type

1 min. at 1,500VAC, 50/60Hz

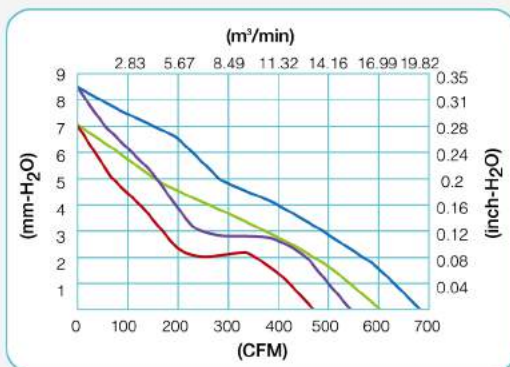
Recommended ambient range -20°C~+70°C

60,000 hours at 40°C

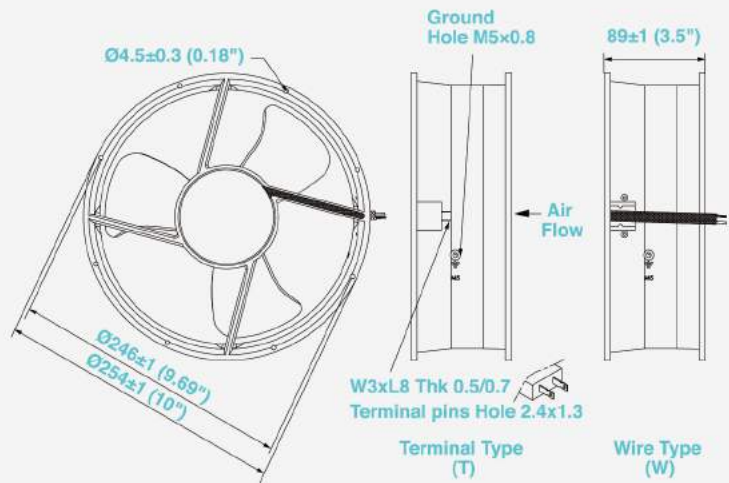
2 kg (4.4 pounds)

UL, CUL, TUV, CE, RoHS

SK254 P-Q Curves



— -1 50Hz — -2 50Hz
— -1 60Hz — -2 60Hz



Model No.	Rated VAC	Freq. Hz	Rated Input Amp	Rated Input Watt	Rated Speed RPM	Max. Air Flow m ³ /min CFM	Max. Static Pressure mm-H ₂ O inch-H ₂ O	Noise Level (dB)
型號	電壓	頻率	電流	功率	轉速	最大風量	最大風壓	噪音
SK254AP-11-1	110 (100V~120V)	50/60	0.55/0.62	60/67	2100/1800	19.4/17.1 685/605	8.6/7.1 0.34/0.28	61/58
SK254AP-11-2	110 (100V~120V)	50/60	0.22/0.24	34/37	1400/1600	13.3/15.5 470/546	7.0/8.6 0.28/0.34	54/56
SK254AP-22-1	220 (200V~240V)	50/60	0.26/0.30	60/67	2100/1800	19.4/17.1 685/605	8.6/7.1 0.34/0.28	61/58
SK254AP-22-2	220 (200V~240V)	50/60	0.16/0.14	34/37	1400/1600	13.3/15.5 470/546	7.0/8.6 0.28/0.34	54/56

Customised Item : Double Voltage, FG,RD



AC FAN SK280AP

280X280X89mm(11.02"×11.02"×3.5") 680~1465 CFM



馬達 Motor

Single phase induction capacitor motor, thermally protected

外殼 Housing / Frame

Die-cast aluminum, Painted black (AP) or Plated (AN)

風葉 Impeller

PPS thermoplastic + glass fiber, UL 94V-0

軸承 Bearing Type

Two-ball bearing

接電方式 Connection

T-Terminal push-on type or W-Lead wire type

耐壓 Dielectric Strength

1 min. at 1,500VAC, 50/60Hz

溫度範圍 Operating Temp

Recommended ambient range -20°C~+70°C

壽命 Life Expectancy

60,000 hours at 40°C

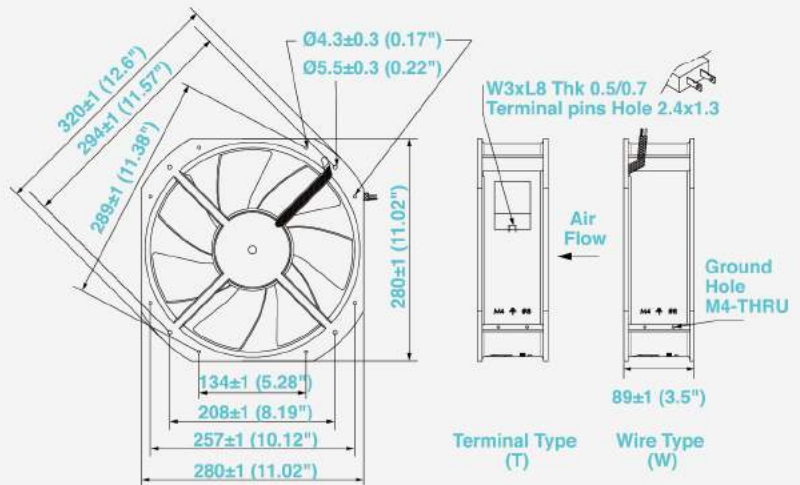
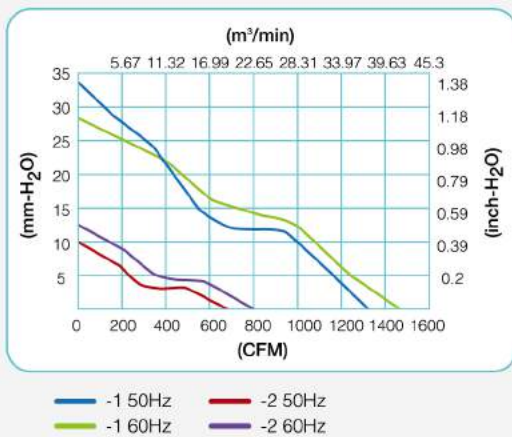
淨重 Net Weight

4.24 kg (9.34 pounds)

認證 Safety Approvals

UL, CUL, TUV, CE, RoHS

SK280 P-Q Curves



Model No.	Rated VAC	Freq. Hz	Rated Input Amp	Rated Input Watt	Rated Speed RPM	Max. Air Flow m³/min CFM	Max. Static Pressure mm-H ₂ O inch-H ₂ O	Noise Level (dB)
型號	電壓	頻率	電流	功率	轉速	最大風量	最大風壓	噪音
SK280AP-11-1	110 (100V~120V)	50/60	1.70/2.84	185/300	2800/3200	37.5/41.5 1325/1465	33.7/28.5 1.33/1.12	73/75
SK280AP-11-2	110 (100V~120V)	50/60	0.82/0.67	61/60	1500/1700	19.3/22.6 680/800	9.8/12.6 0.39/0.50	56/59
SK280AP-22-1	220 (200V~240V)	50/60	0.80/1.29	185/290	2800/3200	37.5/41.5 1325/1465	33.7/28.5 1.33/1.12	73/75
SK280AP-22-2	220 (200V~240V)	50/60	0.42/0.35	62/65	1500/1700	19.3/22.6 680/800	9.8/12.6 0.39/0.50	56/59

Customised Item : Double Voltage



Exhaust Fans & Oil Pump

風鼓

Exhaust Fans



HA 137

規格及特性

DESIGN FEATURES

名稱 Product Name	抽送風機 Exhaust Fan
電壓 AC	110/220 V VH.P.1/2
重量 Weight	5.5 kg
轉速 RPM	3400



HA 147

規格及特性

DESIGN FEATURES

名稱 Product Name	抽送風機 Exhaust Fan
電壓 AC	110/220 V
重量 Weight	2.5 kg
轉速 RPM	3450

泵浦

Oil Pump

H 727

規格及特性

DESIGN FEATURES

名稱 Product Name	高精度自吸抽油機 Oil pump, self-priming
電壓 AC	110V ; 220 V
尺寸 Size	242x102x150.5 mm
泵體 Pump Chamber	鋁鑄成形鋼製葉片 casting aluminum, steel impeller

- 本型式專供柴油使用
- 本型式嚴禁抽水、汽油及易燃油類等
- 小型輕便，堅固耐用
- Special for the use of diesel.
- Severely forbidden to pump water, gasoline and combustible oil.
- Light weight portable, durable and efficiency.



Fan Tray

4" 烤漆板組合風扇 4" Rack Mount Fan Panels

4" L-1



4" L-2



4" L-3



4" L-4



4" L-5



4" L-6



6" 烤漆板組合風扇 6" Rack Mount Fan Panels

6" L-1



6" L-2



6" L-3



Accessories

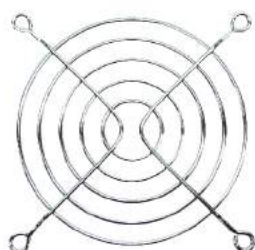
鐵網

Metal Fan Guard

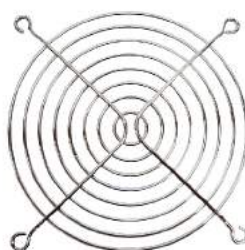
80mm (3")



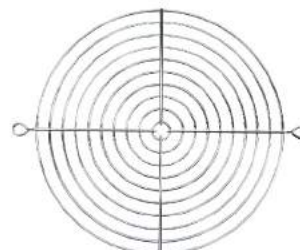
92mm (3.5")



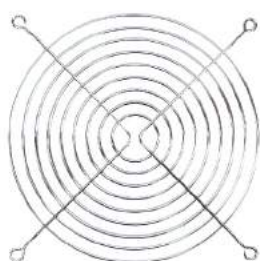
120mm (4")



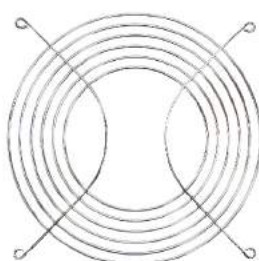
172mm (6")



180mm (7")



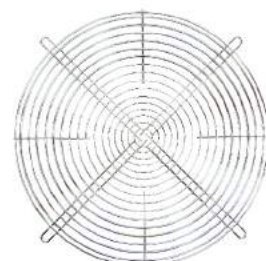
205mm (8")



254mm (10")



280mm (11")



電線

Power Cord



SPT-1
3尺1
(94cm)

SPT-2
3尺1
(94cm)



SPT-1
雙頭5尺
(151.5cm)

SPT-2
雙頭5尺
(151.5cm)



SPT-2
5尺半
(166.8cm)

SPT-1
8尺
(242cm)

